

AIR-COOLED AFTERCOOLER - ACA



DESCRIPTION

Air cooled aftercoolers series ACA have been designed to reduce compressed air temperature and water vapour dew point in compressed air system. High efficiency axial fan forces ambient air over the heat exchangers copper tubes supported by aluminium fins, which provides the necessary cooling effect. The compressed air is cooled down to approximately 10°C above ambient temperature. ACA aftercoolers ensures the maximum performance and protection of all equipment, such refrigeration dryers, adsorption dryers and filters, positioned downstream of this unit.

TECHNICAL SPECIFICATIONS

Ambient temperature	25°C
Inlet air temperature	120°C
Max. working pressure	15barg
Inlet air relative humidity	7%
Working pressure	7barg
Max. inlet air temperature	170°C
Ingress protection	IP54

The nominal operating condition refers to Δt 10 °C related to ambient temperature.

CORRECTION FACTORS

To calculate the correct capacity of a given dryer based on actual operating conditions, multiply the nominal flow capacity by the appropriate correction factor(s).

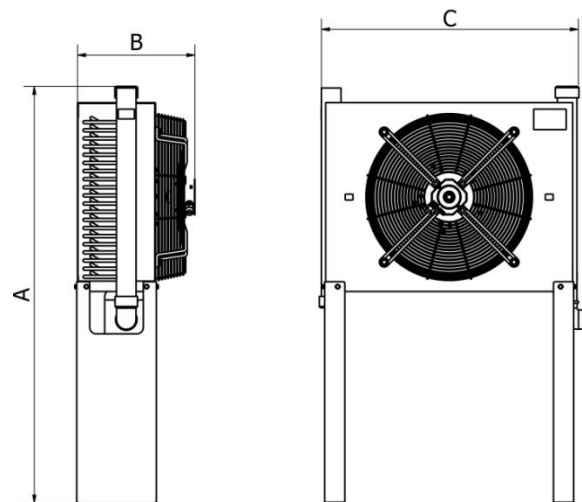
Air cooled: CORRECTED CAPACITY = NOMINAL FLOW CAPACITY x C_{OP}

OPERATING PRESSURE


[bar]	2	3	4	5	6	7	8	9	10	11	12	13	14	15
[psi]	29	44	58	72	87	100	115	130	145	160	174	189	203	218
C_{OP}	0,38	0,50	0,77	0,86	0,93	1	1,13	1,25	1,38	1,50	1,63	1,75	1,88	2,0

SIZES

MODEL	PIPE SIZE [inch]	POWER SUPPLY [Ph/V/Hz]	FAN DIAMETER [mm]	FAN PWR RATING [W]	COOLING AIR FLOW [Nm ³ /h]	FLOW CAPACITY		DIMENSIONS [mm]			WEIGHT [kg]	PRESSURE DROP [bar]
						[Nm ³ /h]	[scfm]	A	B	C		
ACA 003	G 1"	1/230/50	Ø250	40/52	400	66	39	930	320	410	19	0,15
ACA 007	G 1"	1/230/50	Ø250	40/52	400	126	74	930	320	410	20	0,15
ACA 010	G 1 1/2"	3/400/50	Ø400	110	2300	222	131	1030	370	570	27	0,15
ACA 018	G 1 1/2"	3/400/50	Ø400	130	3800	294	173	1030	390	570	29	0,15
ACA 030	G 2"	3/400/50	Ø500	540	7000	390	230	1140	420	770	44	0,15
ACA 047	G 2"	3/400/50	Ø500	540	7000	522	307	1280	440	770	48	0,15
ACA 070	G 2"	3/400/50	Ø630	Δ620/Y440	8000	774	456	1450	570	780	61	0,15
ACA 094	G 2 1/2"	3/400/50	Ø630	Δ620/Y440	8000	990	583	1450	570	780	66	0,15
ACA 150	DN100	3/400/50	Ø800	1470	21000	1260	742	1640	570	1620	127	0,15
ACA 175	DN100	3/400/50	Ø800	1470	21000	1560	918	1640	570	1680	143	0,15
ACA 240	DN100	3/400/50	Ø800	1470	21000	1890	1112	1640	570	1680	148	0,15
ACA 300	DN100	3/400/50	Ø800	1470	21000	2520	1483	1640	570	1680	166	0,15
ACA 450	DN125	3/400/50	2xØ800	1470	2x21000	3090	1819	2150	660	2540	212	0,15
ACA 600	DN125	3/400/50	2xØ800	1470	2x21000	4500	2649	2150	720	2540	315	0,15



INFORMATION IN THIS DOCUMENT IS SUBJECT TO CHANGE WITHOUT NOTICE

	<p>Our quality management system is certified by BUREAU VERITAS in conformity with ISO 9001:2008 Reg. number: 200285</p>	
---	--	--

PRESSURE EQUIPMENT DIRECTIVE PED 2014/68/EU (Fluid group 2)


ACA 003 F – ACA 094 F

Art.4.3

ACA 150 F – ACA 600 F

Category 1, Module A

INFORMATION IN THIS DOCUMENT IS SUBJECT TO CHANGE WITHOUT NOTICE

	Our quality management system is certified by BUREAU VERITAS in conformity with ISO 9001:2008 Reg. number: 200285	
---	--	--