

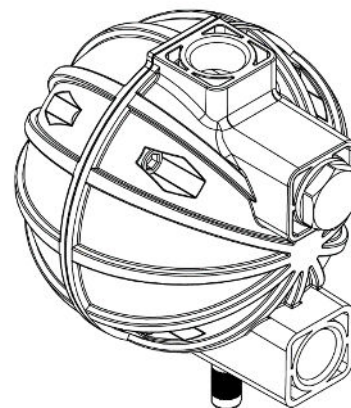
AOK 13PA

AUTOMATIC CONDENSATE DRAIN

DESCRIPTION

AOK 13PA has been developed for fully automatic discharging of condensate or any other non-aggressive fluid from compressed air ⁽¹⁾ system. The unit can be installed as external drain on any application specified below. Condensate accumulates in reservoir and when the level is high enough condensate is being discharged from the system. Direct acting valve is operated by precise level-controlled floater which assures reliable and efficient operation.

AOK13PA has the options of vertical or horizontal connection depending on space available and application.



APPLICATIONS ⁽²⁾

- Air Compressor (piston or screw)
- After-cooler
- Cyclone condensate separator
- Pressure vessel/Air tank
- Air dryer
- Air filter

⁽¹⁾ For any other technical gas please contact us or your local dealer

⁽²⁾ AOK 13PA can be used in variety of applications. For applications not listed please contact us or your local dealer.

TECHNICAL SPECIFICATION

Operation pressure range	0 – 13 bar	0 – 188 psi
Minimum recommended operating pressure	1,5 bar(g)	21,8 psi
Drain capacity (7 bar / 101 psi)	167 l/h	0,1 scfm
Drain capacity (13 bar / 188 psi)	226 l/h	0,13 scfm
Operating temperature range	1,5 – 50°C	35 - 122 °F
Operating media	Condensate (air, water, oil); Non-aggressive	
Inlet connection	G ½"	
Outlet connection	G ½"	
Reservoir volume	0,4 l	
Mass	0,5 kg	
Dimensions A x B x C [mm]	115 x 141 x 122	
Dimensions with nipple D x E [mm]	198 x 58	
Valve type	Direct acting, Normally closed	
Discharge orifice cross section	1,8mm	0,0708 inch

MATERIALS

Housing material	PA6 30% glass fibre
Fittings, Screws	Brass, Brass-zinc plated, Steel
Floater	Polyamide
Sealing	NBR

CAPACITY

	Northern Europe, Canada, Central Asia	Rest of the world	Moist tropical and subtropical regions
Peak compressor capacity [m3/min]	110	100	60
Peak dryer capacity [m3/min]	240	190	120
Peak filter capacity [m3/min]	1200	970	600

The amount of condensed water in compressed air system depends mainly on outside air temperature. Above specified flows refer to discharge capacity at operating pressure 7barg.

CALCULATION OF CAPACITY

For rough calculation of discharge capacity at certain pressure use following equation:

$$Q = 63\sqrt{\Delta p} \quad \text{Example: if operating at 7barg; } Q = 63\sqrt{7} = 166,7 \text{ l/h}$$

DIMENSIONS

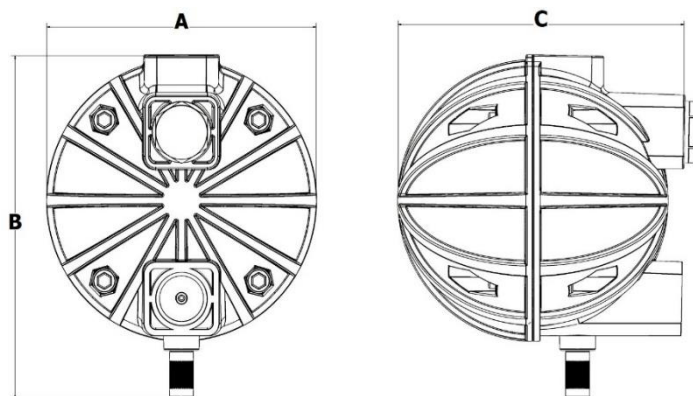
Type	A	B	C
AOK 13B	115	141	122

PRESSURE EQUIPMENT DIRECTIVE PED 2014/68/EU (Fluid group 2)

Product type	Category, module
AOK 13PA	Not required

MAINTENANCE

Once per year make a visual check of the drain and make sure there is no visual damage or leakage. Clean interior of the reservoir regularly. Intervals of cleaning depend on contamination of condensate. Replace the sealings if necessary.




RECOMMENDATIONS

- We recommend the use of ball valve between pressure vessel and inlet connection.
- We recommend the use of strainer element between pressure vessel and inlet connection.
- We recommend the use of venting line to avoid generation of air bubbles.

Condensate discharged from compressed air system contains significant amounts of lubricant oil. We strongly recommend connecting AOK 13PA to oil water separator. In most countries content of oil in waste water is regulated by law.

INFORMATION IN THIS DOCUMENT IS SUBJECT TO CHANGE WITHOUT NOTICE

	Our quality management system is certified by BUREAU VERITAS in conformity with ISO 9001:2015 Reg. number: 200285	
---	--	--