

# ELECTRONIC CONDENSATE DRAIN ECD

## DESCRIPTION

ECD series have been developed for fully automatic discharging of condensate or any other non-aggressive fluid from compressed air<sup>(1)</sup> system. The units can be installed as external drain on any application specified below. Condensate accumulates in the collecting reservoir and when the level is high enough condensate is being discharged from the system without any air losses. Fluid level is detected by precise capacitive level sensor. Special self-cleaning direct acting valve assures reliable operating. ECD series is also equipped with operation alarm, led indicator, test button and internal strainer.



## APPLICATIONS <sup>(2)</sup>

- Air Compressor (piston or screw)
- After-cooler
- Cyclone condensate separator
- Pressure vessel/Air tank
- Air dryer
- Air filter

<sup>(1)</sup> For any other technical gas please contact us or your local dealer.

<sup>(2)</sup> ECD series can be used in variety of applications. For applications not listed please contact us or your local dealer.

## TECHNICAL SPECIFICATION

Voltage	115VAC	115 V +/-10%
	230VAC	230 V +/-10%
Power	115VAC	24 VA
	230VAC	24 VA
Frequency		50 – 60 Hz
Power interface		3 x 0,75mm <sup>2</sup>
Protection class		IP54
Potential free contact		max. 24V, max. 20mA, NC contact, potential free
Operating pressure	0 - 16 bar(g)	0 - 232 psi
Operating temperature	1,5 – 65°C	35 – 149 °F
Operating media		Condensate (air, water, oil); Non-aggressive
Inlet connection		G 1/2"
Outlet connection		G 1/8"
Valve type		Solenoid direct acting valve, Normally closed
Air vent option		YES
Classification according to pressure equipment directive PED 97/23/CE (Fluid group 2)		Not required
Directive 2004/108/EC (EMC directive)		YES

## MATERIALS

Housing	Aluminium
Other housing parts	PA6 (polyamide) 30% glass fibre, PU (polyurethane)
Pressureless housing parts	ABS
Valve, dirt screen	Stainless steel 1.4057
Level sensor	PP (polypropylene)
Sealing	NBR

Omega Air d.o.o. Ljubljana  
Cesta Dolomitskega odreda 10  
1000 Ljubljana, Slovenia

Tel: +386 (01) 200 68 00  
Fax: +386 (01) 200 68 50

e-mail: info@omega-air.si  
www.omega-air.si



**TYPES**

	ECD 15B <sup>(3)</sup>	ECD 40B <sup>(3)</sup>	ECD 90B <sup>(3)</sup>	ECD 150B <sup>(3)</sup>
Drain capacity (7 bar/101 psi)	15 l/h 0,0088 scfm	40 l/h 0,0235 scfm	90 l/h 0,0529 scfm	150 l/h 0,0882 scfm
Volume	0,15 l	0,15 l	0,2 l	0,28 l
Mass	0,9 kg	0,9 kg	1,05 kg	1,15kg
Dimensions A x B x C [mm]	120 x 82 x 125	120 x 82 x 125	120 x 82 x 135	120 x 82 x 150
Peak Compressor Performance [m <sup>3</sup> /min]	11,6 9,3 5,8	29,4 23,5 14,7	60,6 48,5 30,3	111,6 89,3 55,8
Peak Dryer Performance [m <sup>3</sup> /min]	23,2 18,6 11,6	58,8 47,0 29,4	121,2 97,0 60,6	223,2 178,6 111,6
Peak Filter Performance [m <sup>3</sup> /min]	116 93 58	294 235 147	606 485 303	1116 893 558
Compressor power [kW]	Up to 30	Up to 75	Up to 160	Up to 315

PED 2014/68/EU (Fluid group 2)

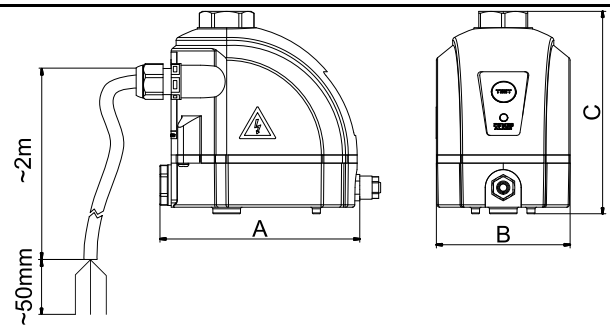
Category and module

Not required

<sup>(3)</sup> Available in 115VAC and 230VAC versions

Climate zone:

Northern Europe, Canada, Northern USA, Central Asia
Central and Southern Europe, Central America
South East Asian coastal regions, Oceania, Amazon and Congo regions

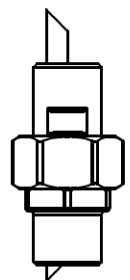


**MAINTENANCE**

Once per year make a visual check of the drain and make sure there is no visual damage or leakage. Clean reservoir and clean or replace internal strainer at least once a year. Intervals of cleaning depend on contamination of condensate. Sealing elements are subject to wear, which depends on various operating parameters such as pressure, temperature, dirt content, etc. So, replace the sealings if necessary.


**RECOMMENDATIONS**

- We recommend the use of ball valve between pressure vessel and inlet connection.
- We recommend the use of strainer element between pressure vessel and inlet connection.
- We recommend the use of nipple with venting tube to avoid generation of air bubbles. Nipple is screwed in inlet connection.



**Condensate discharged from compressed air system contains significant amounts of lubricant oil. We strongly recommend connecting ECD to oil water separator. In most countries content of oil in waste water is regulated by law.**

INFORMATION IN THIS DOCUMENT IS SUBJECT TO CHANGE WITHOUT NOTICE

	Our quality management system is certified by BUREAU VERITAS in conformity with ISO 9001:2008 Reg. number: 200285
---	--