

VACUUM PUMP PROTECTION FILTERS

P-VAC

DESCRIPTION

P-VAC filters have been specifically developed for protection of vacuum pumps. These filters are optimised for high-efficient removal of solid particles and other contamination from the suction side of vacuum pumps preventing damage to the pump. For P-VAC filter series we offer two filtration stages. Rough pre-filter "VACP" removes bulk liquid and large solid particles while high efficiency microfilter VACM removes very fine impurities which may damage the pump.

APPLICATIONS ⁽¹⁾

- Vacuum pumps



⁽¹⁾ P-VAC filter housing can be used in variety of applications. For applications not listed please contact us or your local dealer.

TECHNICAL SPECIFICATION

Operating temperature	1,5 - 65 °C	35 - 149 °F
Operating pressure	20 - 2000mbar(abs)	0,29 – 29 psi
Initial pressure drop VACM	30mbar	0,45 psi
Initial pressure drop VACP	10mbar	0,15 psi

MATERIALS

Housing material	Aluminium
Fittings, Screws	Brass, Brass-zinc plated, Steel
Cover	ABS
Sealing	NBR
Corrosion protection	Electrophoretic Coating (KTL)
Outside protection	Powder paint coated (Epoxy-polyester base)
Lubricant	Shell cassida grease RLS 2
Filter media	Borosilicate micro fibres,
Drainage media	Polyester
Support (inner-outer)	Stainless Steel 1.4301
Bonding	Polyurethane
Endcaps	PA6 with 30% glass fibres
Sealing	NBR

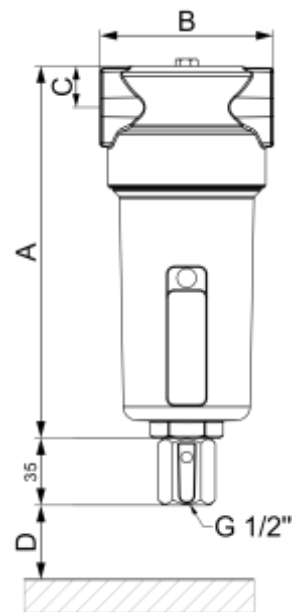
SIZES

FILTER HOUSING	PIPE SIZE [inch]	FILTER ELEMENT	Capacity ⁽²⁾		DIMENSIONS [mm]				VOLUME [l]	WEIGHT [kg]
			[Nm ³ /h]	[scfm]	A	B	C	D		
P-VAC 0006	1/8	03528 VACP, VACM	1,25	0,74	105	55	14	40	0,08	0,3
P-VAC 0016	1/4	05528 VACP, VACM	2,25	1,33	125	55	14	60	0,10	0,3
P-VAC 0026	1/4	03844 VACP, VACM	3,1	1,8	145	73	18	40	0,23	0,5
P-VAC 0036	3/8	03844 VACP, VACM	3,75	2,2	145	73	18	40	0,23	0,5
P-VAC 0046	1/4	06050 VACP, VACM	4,4	2,6	189	88	21	60	0,45	0,8
P-VAC 0056	3/8"	06050 VACP, VACM	7,5	4,4	189	88	32	60	0,45	0,7
P-VAC 0076	1/2"	07050 VACP, VACM	9,8	5,7	189	88	32	60	0,45	0,7
P-VAC 0106	3/4"	14050 VACP, VACM	15,0	8,8	257	88	32	150	0,64	0,8
P-VAC 0186	1"	12075 VACP, VACM	24,8	14,6	261	125	37	160	1,4	1,9
P-VAC 0306	1"	22075 VACP, VACM	41,9	24,7	361	125	37	250	2,0	2,4
P-VAC 0476	1 1/2"	32075 VACP, VACM	63,8	37,6	461	125	37	350	2,6	2,6
P-VAC 0706	1 1/2"	50075 VACP, VACM	97,5	57,4	641	125	37	530	3,6	3,5

⁽²⁾Free air capacity at atmospheric pressure.
Standard is BSP pipe connection, other pipe connection on request.

CORRECTION FACTORS

- To calculate the correct capacity of a given filter based on actual operating conditions, multiply the nominal flow capacity by the appropriate correction factor C₁.
- To select a filter to match system flow conditions, multiply the system flow by the correction factor C₂ that corresponds to vacuum in the pipe.




OPERATING PRESSURE

[bar] absolute	1	0,9	0,8	0,7	0,6	0,5	0,4	0,3	0,2	0,1	0,05	0,02
[psi] absolute	14,7	13	11,6	10,2	8,7	7,3	5,8	3,3	2,9	1,45	0,73	0,29
C ₁	1	0,9	0,8	0,7	0,6	0,5	0,4	0,3	0,2	0,1	0,05	0,02
C ₂	1	1,1	1,25	1,43	1,67	2	2,5	3,33	5	10	20	50

MAINTENANCE

Replace filter element at least every 12 months or follow the instructions for specific filter element. Once per year make a visual check of filter housing and make sure there is no visual damage.

INFORMATION IN THIS DOCUMENT IS SUBJECT TO CHANGE WITHOUT NOTICE

	Our quality management system is certified by BUREAU VERITAS in conformity with ISO 9001:2008 Reg. number: SL22594Q
---	--