

STAINLESS STEEL STERILE FILTER HOUSING - PFL

DESCRIPTION

PFL stainless steel sterile filter housings have been specifically developed for liquid filtration applications. To meet the required liquid purity appropriate filter element must be installed into filter housing.

APPLICATIONS ⁽²⁾

- Food & beverage industry
- Breweries
- Chemical industry
- Dairy industry
- Biotechnology
- Fermentation processes
- Hospitals

⁽¹⁾ For any other technical gas please contact us or your local dealer

⁽²⁾ PFL process filter housing can be used in variety of applications. For applications not listed please contact us or your local dealer.



TECHNICAL SPECIFICATION

Operating temperature ⁽³⁾	Up to - 150°C	Up to - 300°F
Operating pressure ⁽⁴⁾	0 – 10 bar(g)	0 – 145 psi

⁽³⁾ Actual operating temperature depends on type of filter element.

⁽⁴⁾ Max. operating pressure for saturated steam is 3,5 bar (150°C)

MATERIALS

Housing material	Stainless steel quality 1.4404
Sealing	EPDM (Optional FKM or SILICONE)
Housing finishes	Polished down to grade Ra0,8
Lubricant	(Optional Shell Cassida Grease RLS 2)

SIZES

FILTER HOUSING	PIPE SIZE	FLOW CAPACITY		DIMENSIONS [mm]				VOLUME [l]	WEIGHT [kg]
		[l/min]	[gpm]	A	B	C	D		
PFL 003	3/8"	3	0,8	270	110	76,1	90	0,4	1,2
PFL 008	3/8"	8	2,1	330	110	76,1	90	0,5	1,4
PFL 012	1"	12	3,2	402	220	114,3	105	1,8	4,4
PFL 025	1"	25	6,6	540	220	114,3	105	2,9	5,1
PFL 050	1"	50	13,2	785	220	114,3	105	4,8	6,4
PFL 075	1"	75	19,8	1029	220	114,3	105	6,9	7,8

Flow capacity based on water

Standard is BSP pipe connection, other pipe connection on request.

**PRESSURE EQUIPMENT DIRECTIVE PED 2014/68/EU
(Fluid group 2)**

PFL 003 - PFL 050

Article 4.3

PFL 075

Category 1, Module A

CORRECTION FACTORS

To calculate the correct capacity of a given filter based on actual operating conditions, multiply the nominal flow capacity by the appropriate correction factor(s).

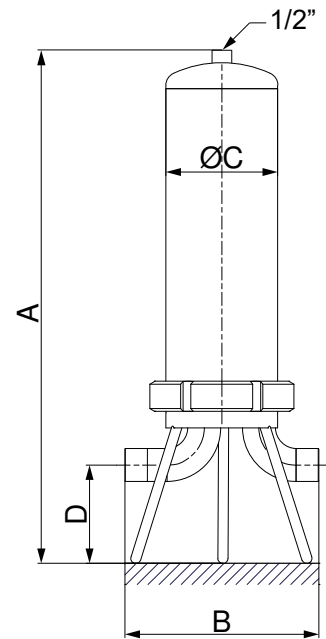
CORRECTED CAPACITY = NOMINAL FLOW CAPACITY x C_{OP}

OPERATING PRESSURE

[bar]	2	3	4	5	6	7	8	9	10
[psi]	29	44	58	72	87	100	115	130	145
C _{OP}	0,38	0,5	0,63	0,75	0,88	1	1,13	1,25	1,38

MAINTENANCE

Replace filter element at least every 12 months or follow the instructions for specific filter element. Once per year make a visual check of filter housing and make sure there is no visual damage.



INFORMATION IN THIS DOCUMENT IS SUBJECT TO CHANGE WITHOUT NOTICE

	<p>Our quality management system is certified by BUREAU VERITAS in conformity with ISO 9001:2008 Reg. number: 200285</p>	
--	--	--